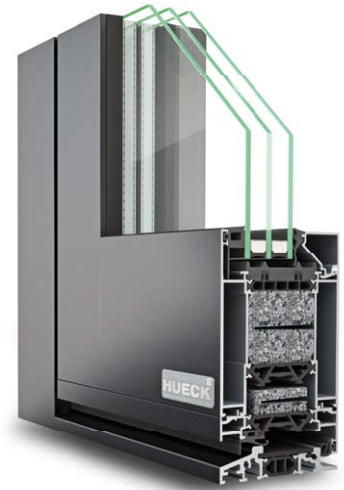




ALUMINIUM SYSTEMS @
HUECK Lambda DS 090



**PRODUCT AND PROCESSING
ADVANTAGES**

- Greatly extended profile range
- Sturdy, long-life profile construction with 90 mm profile depth
- Glass thicknesses and door inserts of 24-68 mm can be used Flush inside and outside for doors opening inwards and outwards
- Optimised insulation zone with insulating bridges for direct screwing of hardware parts
- Production-optimised through use of the same parts and the same hardware (door hinges) for doors opening inwards and outwards
- Compatible with the **HUECK Lambda** WS 090 windows series

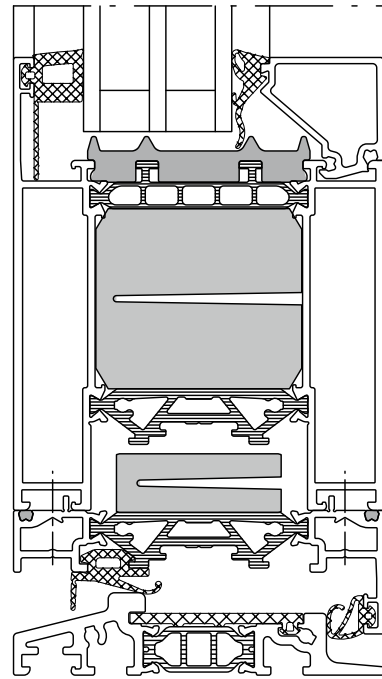
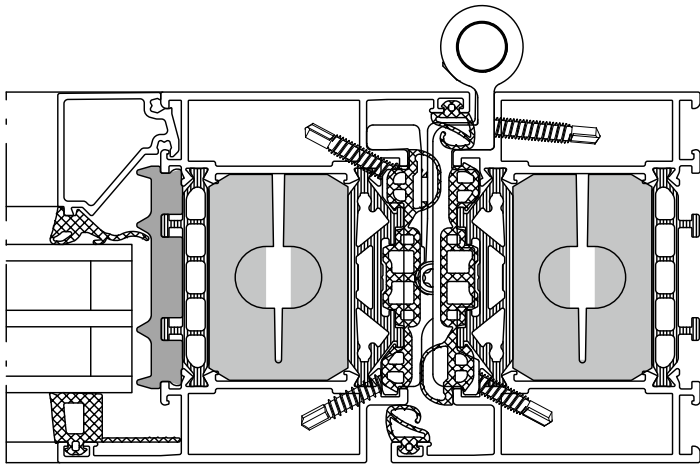
SYSTEM DATA

- Realisable door sizes (max. width / max. height):
1300 mm / 2600 mm
- max. weight: 250 kg
- Coefficient of heat transmission (standard elevation width): $U_f \geq 1.3$ (W/m²K)
- Burglar resistance (EN 1627): up to RC 3 (WK 3)
- Soundproofing (EN ISO 10140 / EN ISO 717-1):
 R_w up to 43 dB
- Water tightness (EN 12208): class 7A
- Air permeability (EN 12207): class 4
- Resistance to wind load (EN 12210): class C3/B3

ALUMINIUM SYSTEMS @
HUECK

HUECK GMBH & CO. KG

Loher Straße 9
58511 Lüdenscheid
T +49 2351 151-0
F +49 2351 151-283
info@hueck.com
hueck.com



View this product in 3D!

Download our 3D-App on your smart-phone or tablet by scanning this code or searching for „Hueck“ at your App-Store (Android or Apple).

ALUMINIUM SYSTEMS @
HUECK

HUECK GMBH & CO. KG

Loher Straße 9
58511 Lüdenscheid
T +49 2351 151-0
F +49 2351 151-283
info@hueck.com
hueck.com